

High Capacity Spherical Roller Bearings

NACHI

EX Design



- Highest Capacity - Longest Life Design
- Heat Stabilized Components to 200 °C (392 °F) Operation

200% to 300% Increase in Bearing Life

Maximizing the internal bearing design, and utilizing the cleanest bearing steels, yields the highest possible dynamic load capacity design, which in turn provides for this dramatic increase in bearing life

The Best Components Yield the Greatest Bearing Performance

Rings and rollers made of select material have superbly controlled accuracy such as roundness, contour, surface finish, and hardness to provide quieter operation, reduced vibration levels, and long life.

Steel Cages for high temperature capability and better chemical resistance to most lubricants.

Steel Guide Ring for better roller guidance and minimal skewing.

Offices

NACHI AMERICA, INC.
Corporate Headquarters
715 Pushville Road
Greenwood, Indiana 46143
Phone: 317-530-1001
Fax: 317-530-1011

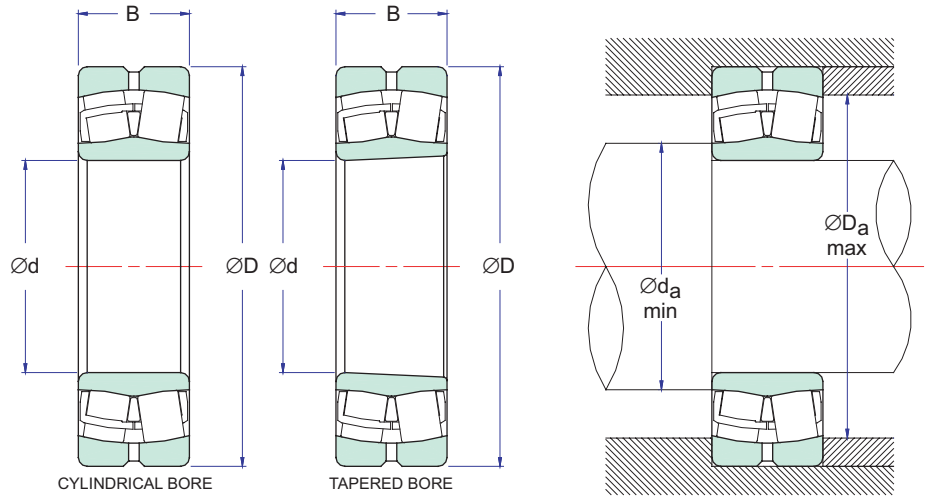
WEST COAST BRANCH
12652 Alondra Boulevard
Cerritos, CA 90703
Phone: 800-548-3903
Fax: 562-802-2455

BEARING DIV. HEADQUARTERS
715 Pushville Road
Greenwood, Indiana 46143
Phone: 888-340-2747
Fax: 888-734-1206

ENGINEERING LABORATORY
Nachi Technical Center
715 Pushville Road
Greenwood, IN 46143
Phone: 317-530-1008
Fax: 317-530-1012

NACHI
NACHI AMERICA INC.

Dimensions and Load Capacities



222 - - EX Series

Bearing No.		Boundary Dimensions (mm)				Basic Load Ratings (N)		Limiting Speeds (rpm)		Abutment Dimensions (mm)		
Cylindrical Bore	Tapered Bore	d	D	B	r_{\min}	Dynamic Cr	Static Cor	Grease Lube	Oil Lube	$d_{a \min}$	$D_{a \max}$	$r_{a \max}$
22205EX	22205EXK	25	52	18	1.0	63,000	48,000	10,500	13,000	30.5	46.5	1.0
22206EX	22206EXK	30	62	20	1.0	84,500	65,000	8,500	11,000	35.5	56.5	1.0
22207EX	22207EXK	35	72	23	1.1	112,000	88,500	7,500	9,500	42.0	65.0	1.0
22208EX	22208EXK	40	80	23	1.1	126,000	102,000	6,700	8,500	47.0	73.0	1.0
22209EX	22209EXK	45	85	23	1.1	133,000	110,000	6,000	7,500	52.0	78.0	1.0
22210EX	22210EXK	50	90	23	1.1	142,000	122,000	5,600	7,100	57.0	83.0	1.0
22211EX	22211EXK	55	100	25	1.5	171,000	144,000	5,300	6,700	63.5	91.5	1.5
22212EX	22212EXK	60	110	28	1.5	210,000	179,000	4,800	6,000	68.5	101.5	1.5
22213EX	22213EXK	65	120	31	1.5	246,000	209,000	4,300	5,300	73.5	111.5	1.5
22214EX	22214EXK	70	125	31	1.5	257,000	220,000	4,000	5,300	78.5	116.5	1.5
22215EX	22215EXK	75	130	31	1.5	265,000	234,000	4,000	5,000	83.5	121.5	1.5
22216EX	22216EXK	80	140	33	2.0	299,000	269,000	3,600	4,500	90.0	130.0	2.0
22217EX	22217EXK	85	150	36	2.0	355,000	320,000	3,400	4,300	95.0	140.0	2.0
22218EX	22218EXK	90	160	40	2.0	410,000	375,000	3,200	4,000	100.0	150.0	2.0
22219EX	22219EXK	95	170	43	2.1	465,000	420,000	3,000	3,800	107.0	158.0	2.0
22220EX	22220EXK	100	180	46	2.1	520,000	480,000	2,800	3,600	112.0	168.0	2.0
22222EX	22222EXK	110	200	53	2.1	680,000	640,000	2,600	3,200	122.0	188.0	2.0
22224EX	22224EXK	120	215	58	2.1	785,000	765,000	2,400	3,000	132.0	203.0	2.0
22226EX	22226EXK	130	230	64	3.0	910,000	915,000	2,200	2,600	144.0	216.0	2.5
22228EX	22228EXK	140	250	68	3.0	1,050,000	1,030,000	1,400	1,700	154.0	236.0	2.5
22230EX	22230EXK	150	270	73	3.0	1,200,000	1,200,000	1,300	1,600	164.0	256.0	2.5

223 - - EX Series

Bearing No.		Boundary Dimensions (mm)				Basic Load Ratings (N)		Limiting Speeds (rpm)		Abutment Dimensions (mm)		
Cylindrical Bore	Tapered Bore	d	D	B	r_{\min}	Dynamic Cr	Static Cor	Grease Lube	Oil Lube	$d_{a \min}$	$D_{a \max}$	$r_{a \max}$
22308EX	22308EXK	40	90	33	1.5	185,000	151,000	5,300	6,700	48.5	81.5	1.5
22309EX	22309EXK	45	100	36	1.5	230,000	182,000	4,500	5,600	53.5	91.5	1.5
22310EX	22310EXK	50	110	40	2.0	280,000	235,000	4,300	5,300	60.0	100.0	2.0
22311EX	22311EXK	55	120	43	2.0	325,000	263,000	3,800	4,800	65.0	110.0	2.0
22312EX	22312EXK	60	130	46	2.1	390,000	330,000	3,600	4,500	72.0	118.0	2.0
22313EX	22313EXK	65	140	48	2.1	415,000	355,000	3,200	4,000	77.0	128.0	2.0
22314EX	22314EXK	70	150	51	2.1	480,000	415,000	3,000	3,800	82.0	138.0	2.0
22315EX	22315EXK	75	160	55	2.1	550,000	475,000	2,800	3,600	87.0	148.0	2.0
22316EX	22316EXK	80	170	58	2.1	595,000	520,000	2,600	3,400	92.0	158.0	2.0
22317EX	22317EXK	85	180	60	3.0	665,000	585,000	2,400	3,200	99.0	166.0	2.5
22318EX	22318EXK	90	190	64	3.0	745,000	660,000	2,400	3,000	104.0	176.0	2.5
22319EX	22319EXK	95	200	67	3.0	815,000	725,000	2,200	2,800	109.0	186.0	2.5
22320EX	22320EXK	100	215	73	3.0	975,000	875,000	2,000	2,600	114.0	201.0	2.5
22322EX	22322EXK	110	240	80	3.0	1,150,000	1,040,000	1,900	2,400	124.0	226.0	2.5
22324EX	22324EXK	120	260	86	3.0	1,250,000	1,130,000	1,700	2,200	134.0	246.0	2.5
22326EX	22326EXK	130	280	93	4.0	1,450,000	1,340,000	1,300	1,700	148.0	262.0	3.0