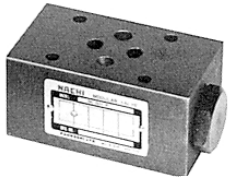


OC, OCV Series



CHECK MODULAR VALVE

- 50~200ℓ/min (13.2~52.9 gpm)
210, 250 kgf/cm² (3000, 3571 psi)

Features

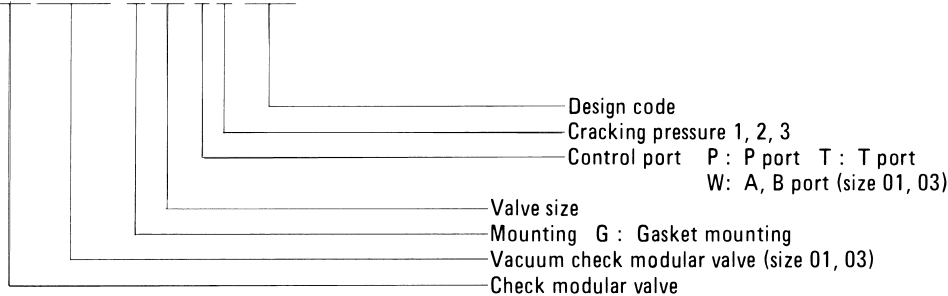
1. Available as a vacuum check from T port to A and B ports.
2. The maximum operating pressure of this valve is 210, 250 kgf/cm² (3000, 3571 psi).

Specification

Model	Valve size	Max. Operating Pressure kgf/cm ² (psi)	Max Flow ℓ/min (gpm)	Cracking pressure kgf/cm ² (psi)	Weight kgf (lb)
OC-G01-P1-20 P2 P3	1/8	250 (3571)	50 (13.2)	0.4 (5.7) 3.5 (50) 5.0 (71)	1.0 (2.2)
OC-G01-T1-20 T2 T3				0.4 (5.7) 3.5 (50) 5.0 (71)	1.0 (2.2)
OCV-G01-W-20			40 (10.6)	0.15 (2.14)	1.0 (2.2)
OC-G03-P1-J50 P2 P3	3/8	250 (3571)	100 (26.5)	0.4 (5.7) 3.5 (50) 5.0 (71)	2.7 (6.0)
OC-G03-T1-J50 T2 T3				0.4 (5.7) 3.5 (50) 5.0 (71)	2.7 (6.0)
OCV-G03-W-J50				0.15 (2.14)	3.5 (7.7)
OC-G06-P1-10 P2 P3	3/4	210 (3000)	200 (52.9)	0.4 (5.7) 3.5 (50) 5.0 (71)	9.8 (21.6)
OC-G06-T1-10 T2 T3				0.4 (5.7) 3.5 (50) 5.0 (71)	9.8 (21.6)

Model Code

OC(OVC)-G03-P1-J50

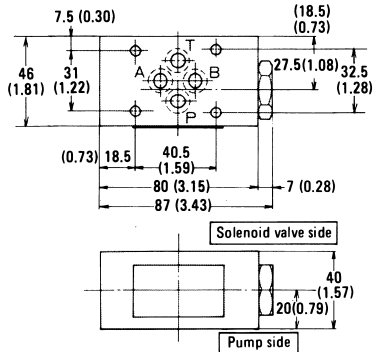


Modular Valves

OC, OCV Series

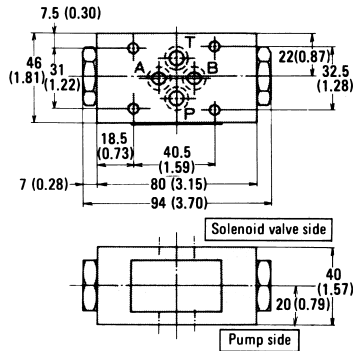
Installation Dimensions mm (inch)

OC-G01-P^{*}-20

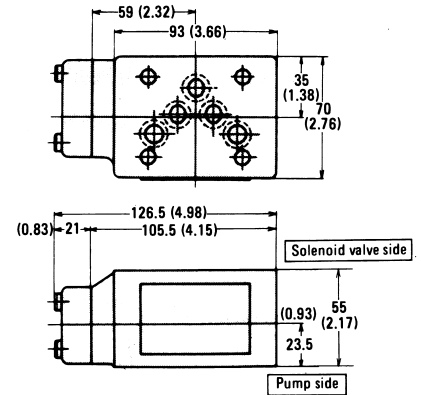


() dimensions for the OC-G01-T*-20.

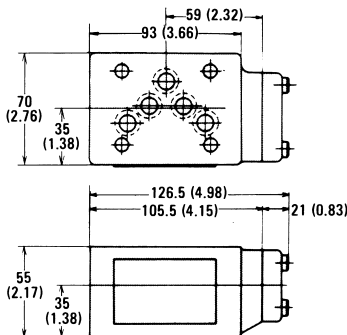
OCV-G01-W-20



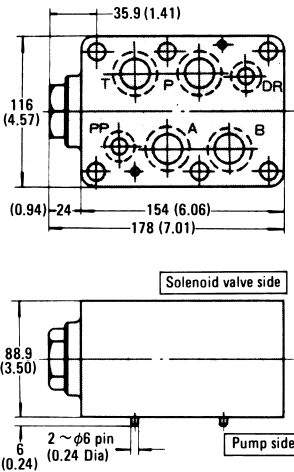
OC-G03-P^{*}-J50



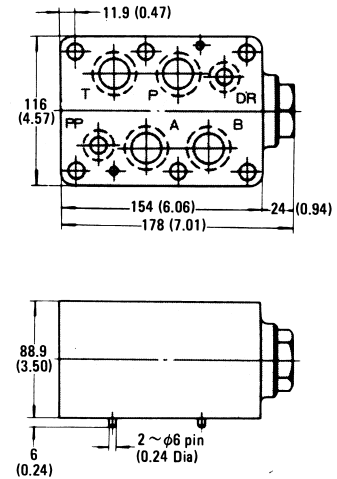
OC-G03-T^{*}-J50



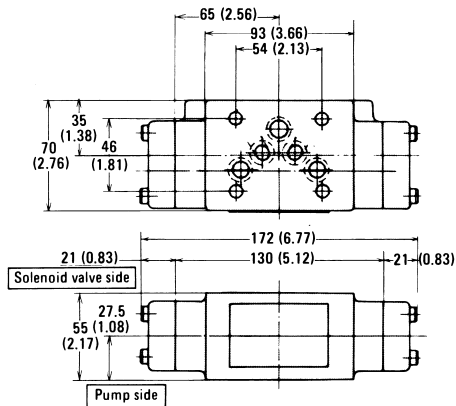
OC-G06-P^{*}-10



OC-G06-T^{*}-10



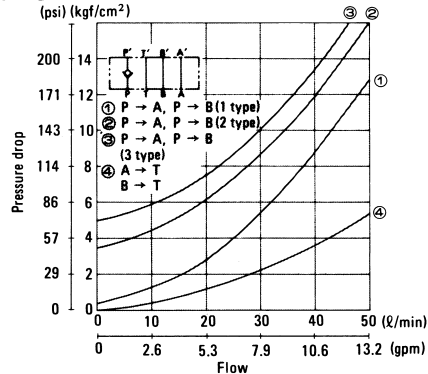
OCV-G03-W-J50



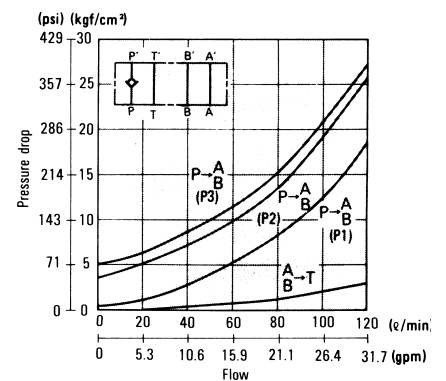
Performance Curve

Pressure Drop Characteristics

OC-G01-P^{*}-20

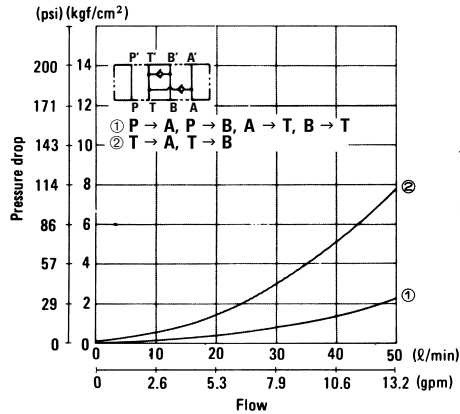


OC-G03-P^{*}-J50

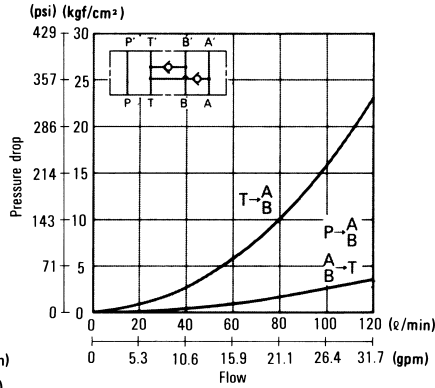


OC, OCV Series

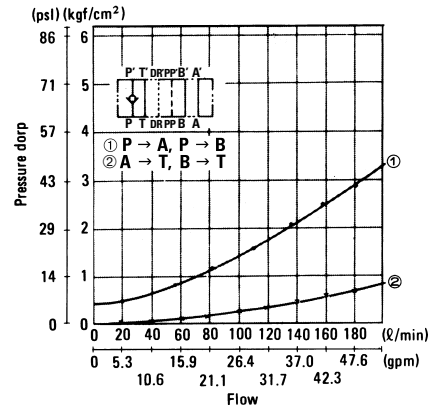
OCV-G01-W-20



OCV-G03-W-J50



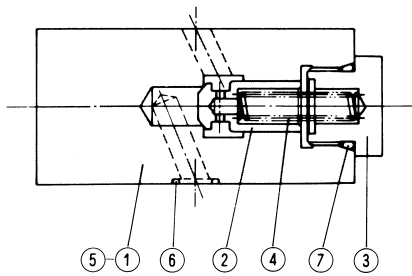
OC-G06-P※-10



Viscosity of hydraulic fluid 30cSt.

Cross Section Drawing

OC-G01-P※-20

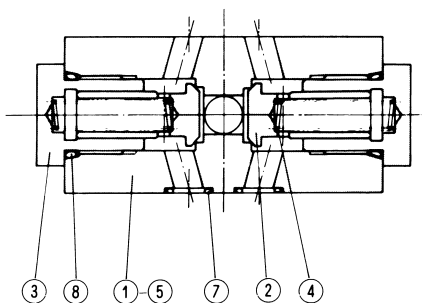


No.	Name of part	No.	Name of part
1	Body	5	Plate
2	Poppet	6	O-ring
3	Guide	7	O-ring
4	Spring		

List of Seals

No.	Name of part	Number of part	Q'ty
6	O-ring	RO-P9-90	4
7	O-ring	RO-P18-90	1

OCV-G01-W-20

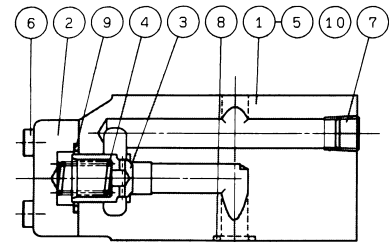


No.	Name of part	No.	Name of part
1	Body	5	Plate
2	Poppet	6	Plug
3	Guide	7	O-ring
4	Spring	8	O-ring

List of Seals

No.	Name of part	Number of part	Q'ty
7	O-ring	RO-P9-90	4
8	O-ring	RO-P18-90	2

OC-G03-P※-J50

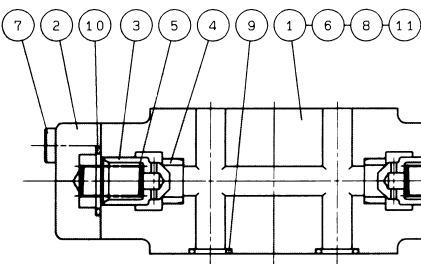


No.	Name of part	No.	Name of part
1	Body	6	Screw
2	Cover	7	Plug
3	Poppet	8	O-ring
4	Spring	9	O-ring
5	Plate	10	Pin

List of Seals

No.	Name of part	Number of part	Q'ty
8	O-ring	ROA-O14-90	5
9	O-ring	RO-P22-90	1

OCV-G03-W-J50

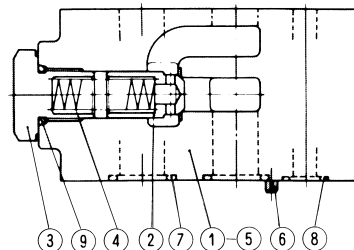


List of Seals

No.	Name of part	Number of part	Q'ty
8	O-ring	RO-P10A-90	2
9	O-ring	ROA-O14-90	5
10	O-ring	RO-P22-90	2

OC-G06-P※-10

No.	Name of part
1	Body
2	Cover
3	Poppet
4	Seat
5	Spring
6	Plate
7	Screw
8	O-ring
9	O-ring
10	O-ring
11	Pin



List of Seals

No.	Name of part	Number of part	Q'ty
7	O-ring	RO-P28-90	4
8	O-ring	RO-P20-90	2
9	O-ring	RO-P24-90	1

No.	Name of part
1	Body
2	Poppet
3	Retainer
4	Spring
5	Plate
6	Pin
7	O-ring
8	O-ring
9	O-ring