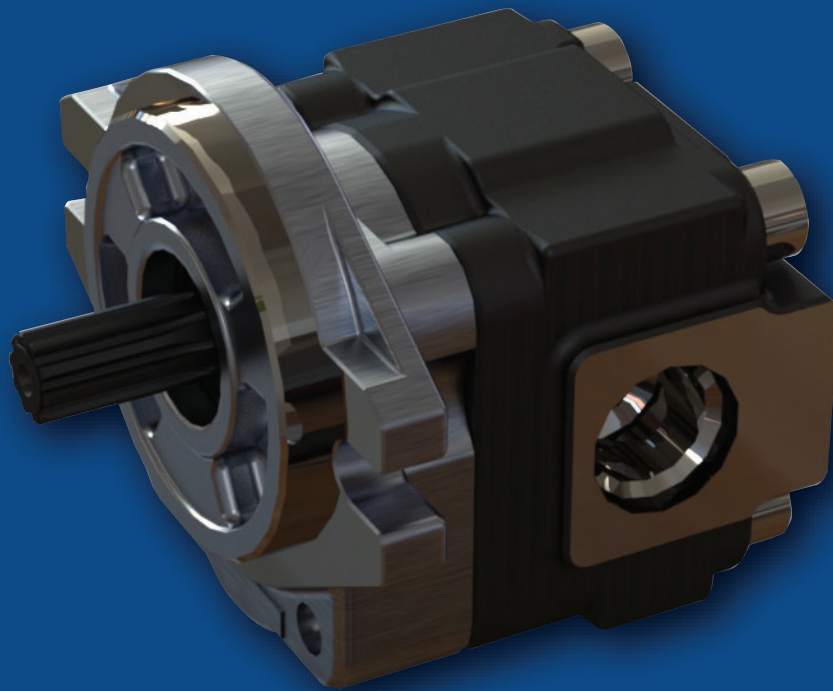


# NACHI

---

## NASGP EXTERNAL GEAR PUMP



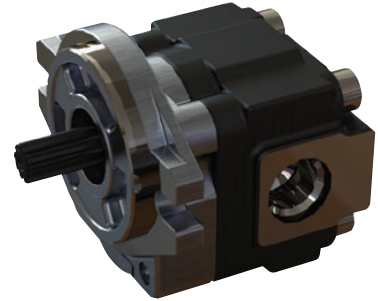
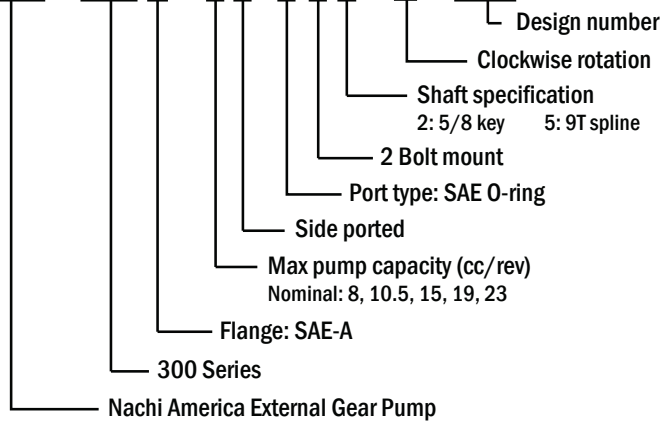
NACHI AMERICA INC.

# NASGP External Gear Pump

## Model Code

How to Order

**NASGP - 300 A - 8 A - 9 H 2 - R - E10**



Note: 1. Note that there are certain restrictions on pump capacity and motor capacity combinations.  
2. Design numbers are subject to change without notice.

Model No.	Pump Capacity (cc/rev)	Pump Capacity (Cu-in/rev)	Flow Rate @ 1800 rpm (GPM)	Rated Pressure	Maximum Pressure (Psi)	Speed (Rpm)	Weight (Lbs)
NASGP-300A-8A-9H2-R-E10	8.00	0.48	3.80	3,600	4,200	500 - 3500	8.00
NASGP-300A-10.5A-9H2-R-E10	10.40	0.63	4.95				8.36
NASGP-300A-15A-9H2-R-E10	14.80	0.90	7.04				8.80
NASGP-300A-19A-9H2-R-E10	19.20	1.17	9.13				9.24
NASGP-300A-23A-9H2-R-E10	22.90	1.40	10.89				9.68

Note: Direction of rotation is clockwise when viewed from the shaft end.

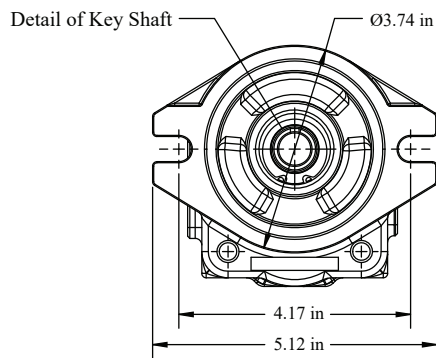
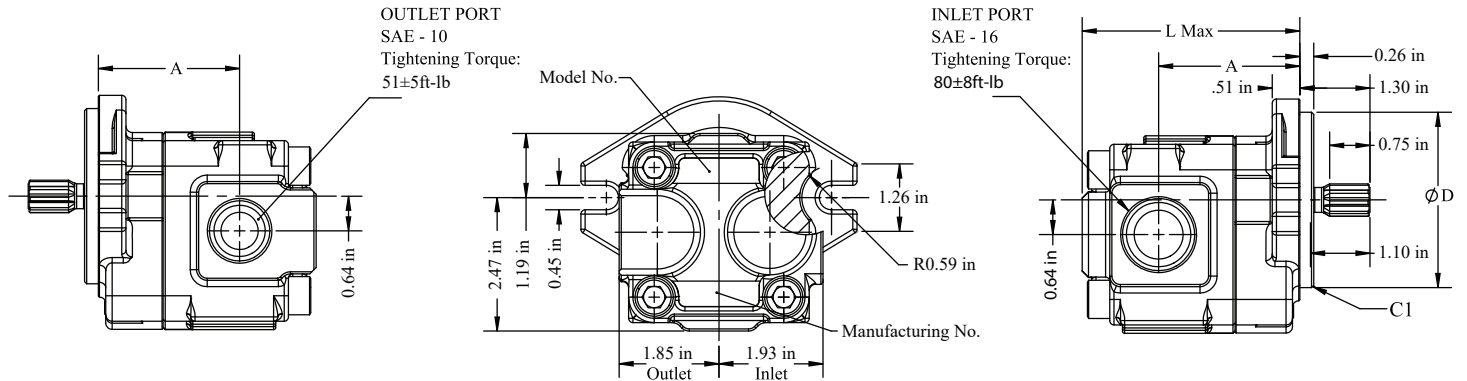
## PVS Coupling and Adapter Sets

	Front pump	Rear pump (Keyed)	Kit Number
NACHI part number	PVS-0B or PVS-1B Series	NASGP Series	PVMK-1-SAE-A-5/8"
	PVS-2B Series		PVMK-2-SAE-A-5/8"

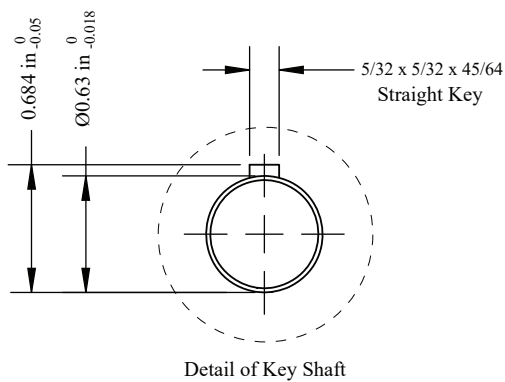
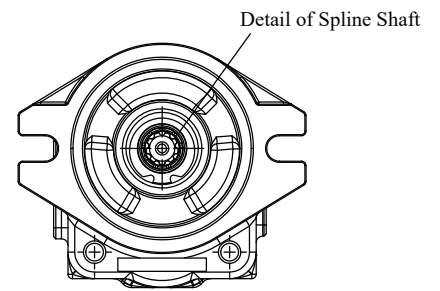
# NASGP External Gear Pump

Size	Displacement cu in	A	L	ØD
NASGP-300A-8	0.48	2.16	3.67	3.25
10.5	0.63	2.28	3.80	
15	0.90	2.52	4.04	
19	1.17	2.76	4.27	
23	1.40	2.95	4.47	

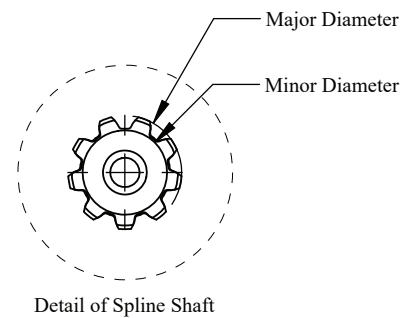
Specification	
Rated Pressure	3600 PSI
Max Surge Pressure	4200 PSI
RPM	500~3500 RPM
Suction Pressure	-3~15 PSI
Weight	9.26 lbs



## CUTOUT VIEW



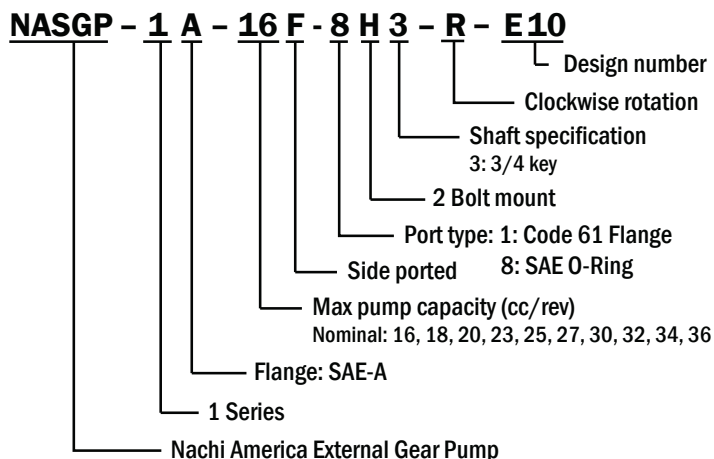
SCALE 1 : 1



SAE J498b Involute Spline Data (Some dimensions are different from SAE Standard)			
No. of Teeth	9	Minor Diameter	Ø0.47 Max
Diametrical Pitch	16/32	Over Pin Diameter	0.7354 0.7227
Pressure Angle	30°	Pin Diameter	Ø0.12
Major Diameter	Ø0.6085 Ø0.6035	Flat Root Side Fit	

# NASGP External Gear Pump

## Model Code How to Order



Note: 1. Note that there are certain restrictions on pump capacity and motor capacity combinations.  
2. Design numbers are subject to change without notice.

Model No.	Pump Capacity (cc/rev)	Pump Capacity (Cu-in/rev)	Flow Rate @ 1800 rpm (GPM)	Rated Pressure	Maximum Pressure (Psi)	Speed (Rpm)	Weight (Lbs)
NASGP-1A-16F-8H3-R-E10	16.0	0.98	7.61	2,987	3,500	500 - 3,500	7.28
NASGP-1A-18F-8H3-R-E10	18.0	1.10	8.56				7.50
NASGP-1A-20F-8H3-R-E10	20.0	1.22	9.51				7.72
NASGP-1A-23F-8H3-R-E10	23.0	1.40	10.94				8.16
NASGP-1A-25F-8H3-R-E10	25.0	1.53	11.89				8.38
NASGP-1A-27F-8H3-R-E10	27.0	1.65	12.84				8.82
NASGP-1A-30F-8H3-R-E10	30.0	1.83	14.26				9.04
NASGP-1A-32F-8H3-R-E10	32.0	1.95	15.22				9.26
NASGP-1A-34F-8H3-R-E10	34.0	2.07	16.17				9.48
NASGP-1A-36F-8H3-R-E10	36.0	2.20	17.12				9.92

Note: Direction of rotation is clockwise when viewed from the shaft end.

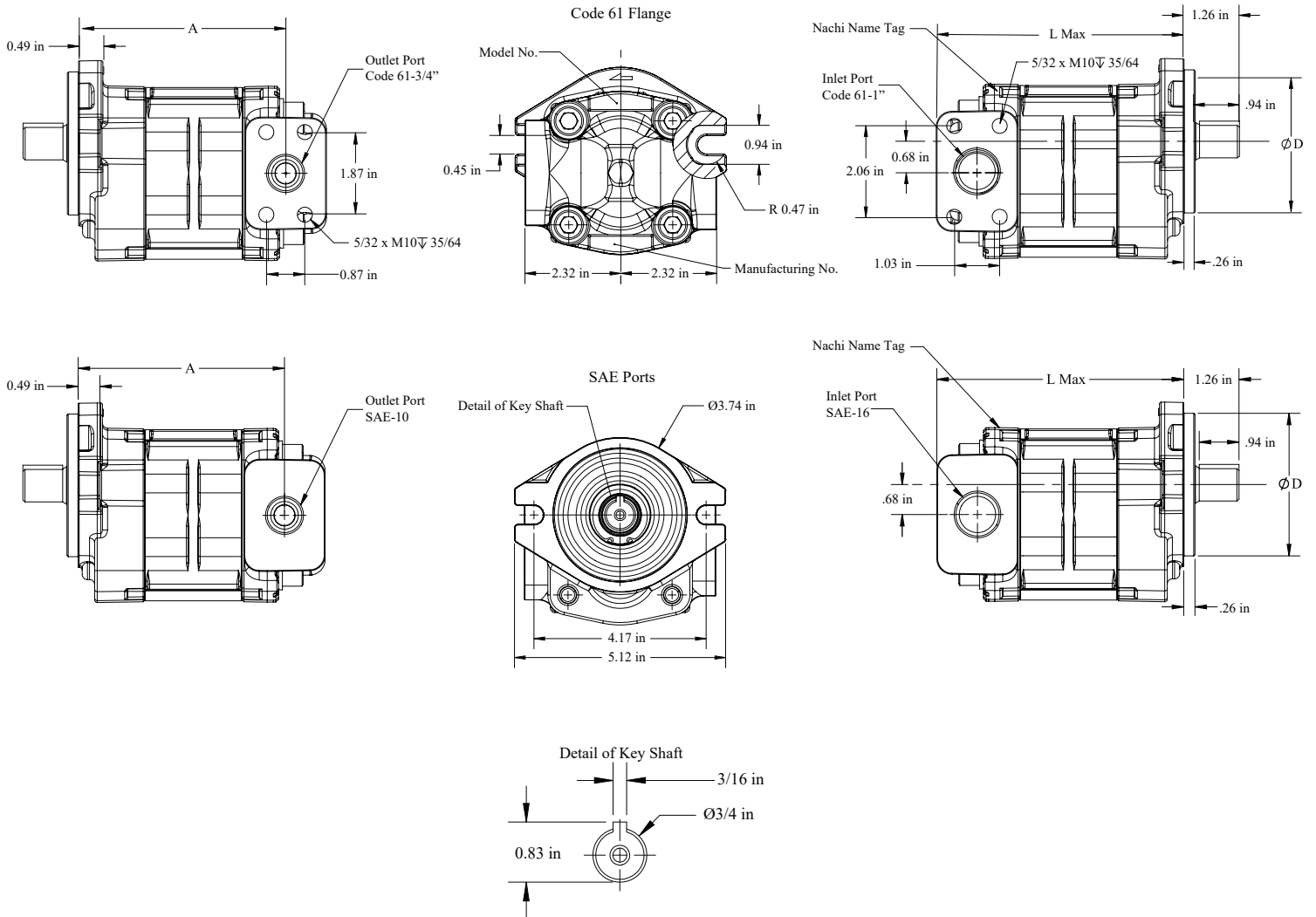
## PVS Coupling and Adapter Sets

	Front pump	Rear pump (Keyed)	Kit Number
NACHI part number	PVS-0B or PVS-1B Series	NASGP Series	PVMK-1-SAE-A-3/4"
	PVS-2B Series		PVMK-2-SAE-A-3/4"

# NASGP External Gear Pump

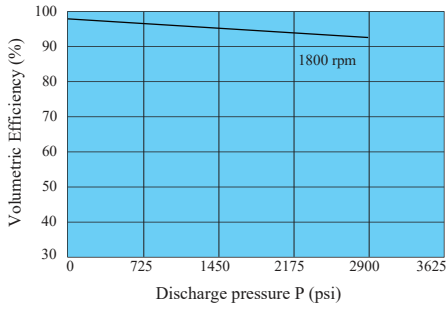
Size	Displacement cu in	A	L	ØD
NASGP-1A-16	0.98	3.86	4.78	Ø3.25
18	1.10	3.96	4.88	
20	1.22	4.06	4.98	
23	1.40	4.21	5.14	
25	1.53	4.27	5.20	
27	1.65	4.41	5.33	
30	1.83	4.51	5.43	
32	1.95	4.67	5.59	
34	2.07	4.70	5.63	
36	2.20	4.82	5.75	

Specifications	
Rated Pressure	2987 PSI
Max Surge Pressure	3500 PSI
RPM	500 ~ 3500 RPM
Suction Pressure	-2.9~29 PSI
Weight	9.90 lbs

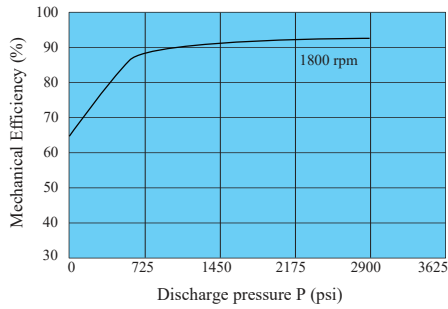


# NASGP External Gear Pump

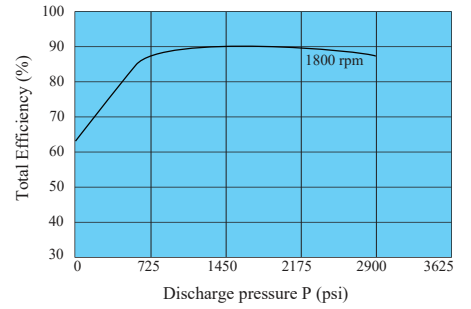
Volumetric Efficiency



Mechanical Efficiency

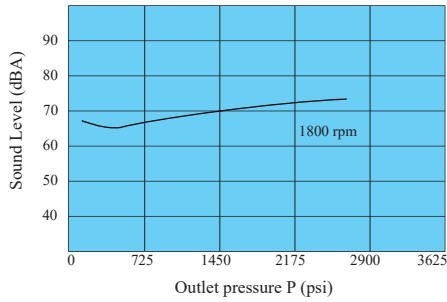


Total Efficiency

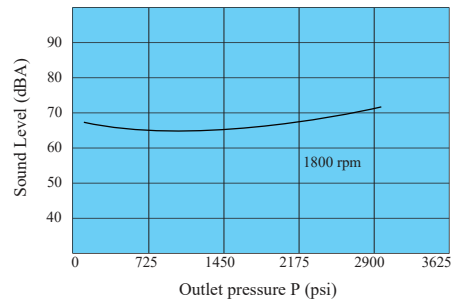


## Sound Level Report

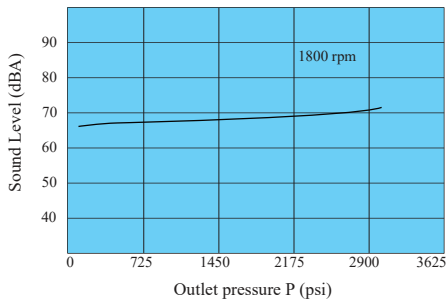
SGP1 - 23 cc



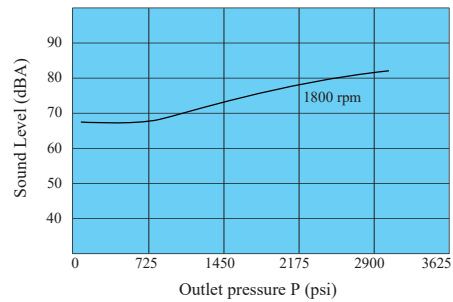
SGP1 - 25 cc



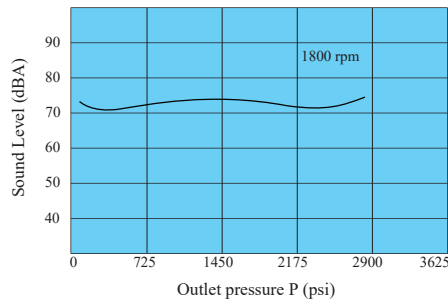
SGP1 - 27 cc



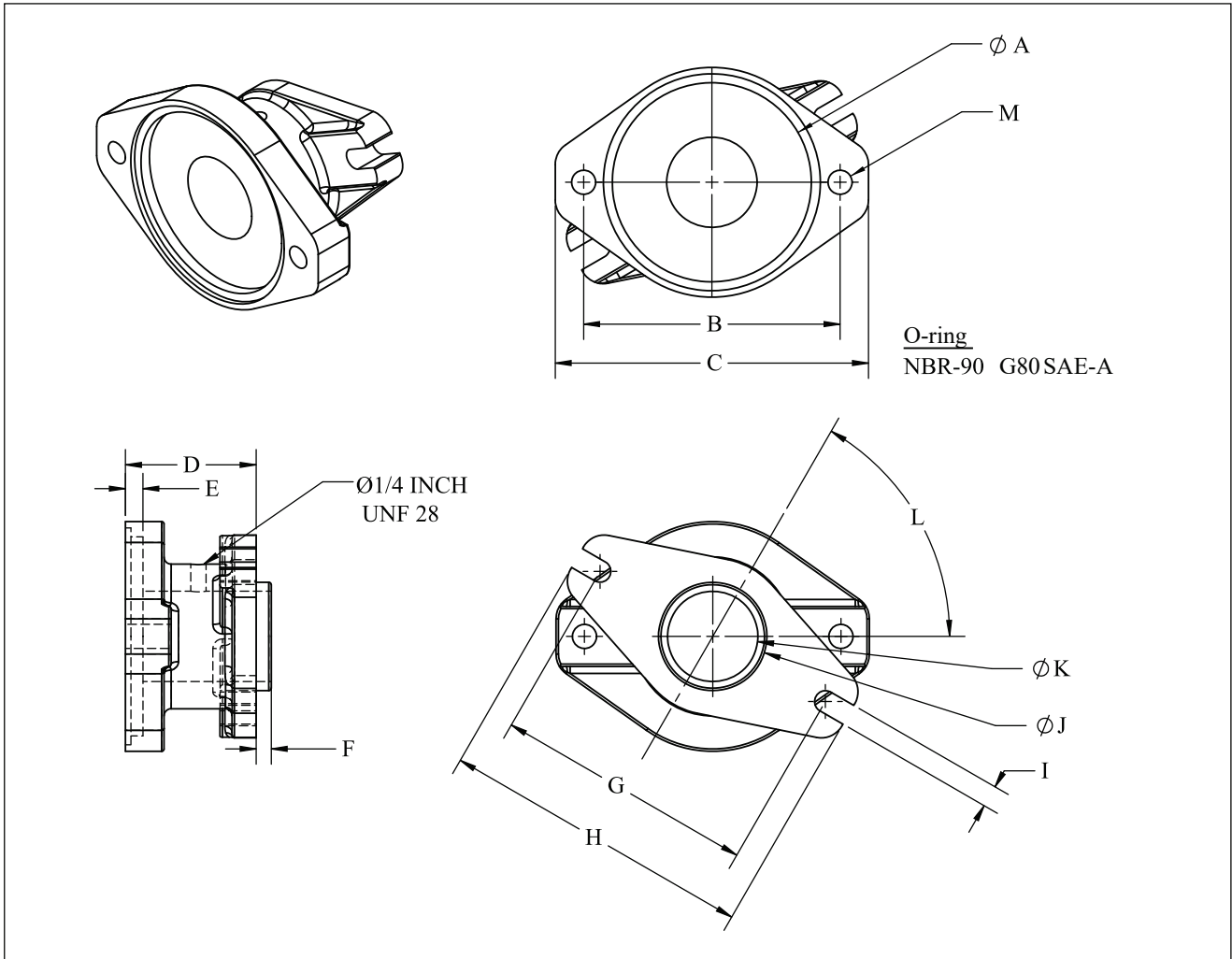
SGP1 - 30 cc



SGP1 - 32 cc



# NASGP External Gear Pump



Dimension (in)	Part Number	
	PVMK-1-SAE-A	PVMK-2-SAE-A
A	$\phi 3.25$	$\phi 3.25$
B	4.19	4.19
C	5.12	5.12
D	2.14	2.06
E	0.29	0.29
F	0.25	0.32
G	4.25	4.09
H	5.12	5.12
I	0.35	0.43
J	$\phi 1.77$	$\phi 2.56$
K	$\phi 1.48$ THRU	$\phi 2.07$ THRU
L	$60.00^\circ$	$60.00^\circ$
M	M10 THRU	M10 THRU



---

**Nachi America Inc.**

715 Pushville Rd, Greenwood, IN 46143  
Tel. (800) 622-4410 Fax. (317) 530-1015  
Email: [ml-nai.hydraulics@nachi.com](mailto:ml-nai.hydraulics@nachi.com)  
[www.nachiamerica.com](http://www.nachiamerica.com)